

Name _____

Slippery Slope

Directions: Plot the points on the table below. Label each point.

1. Ski Slope

X	y	Point
0	16	A
3	14	B
12	8	C
24	0	D

A. What is the slope between points A and B?

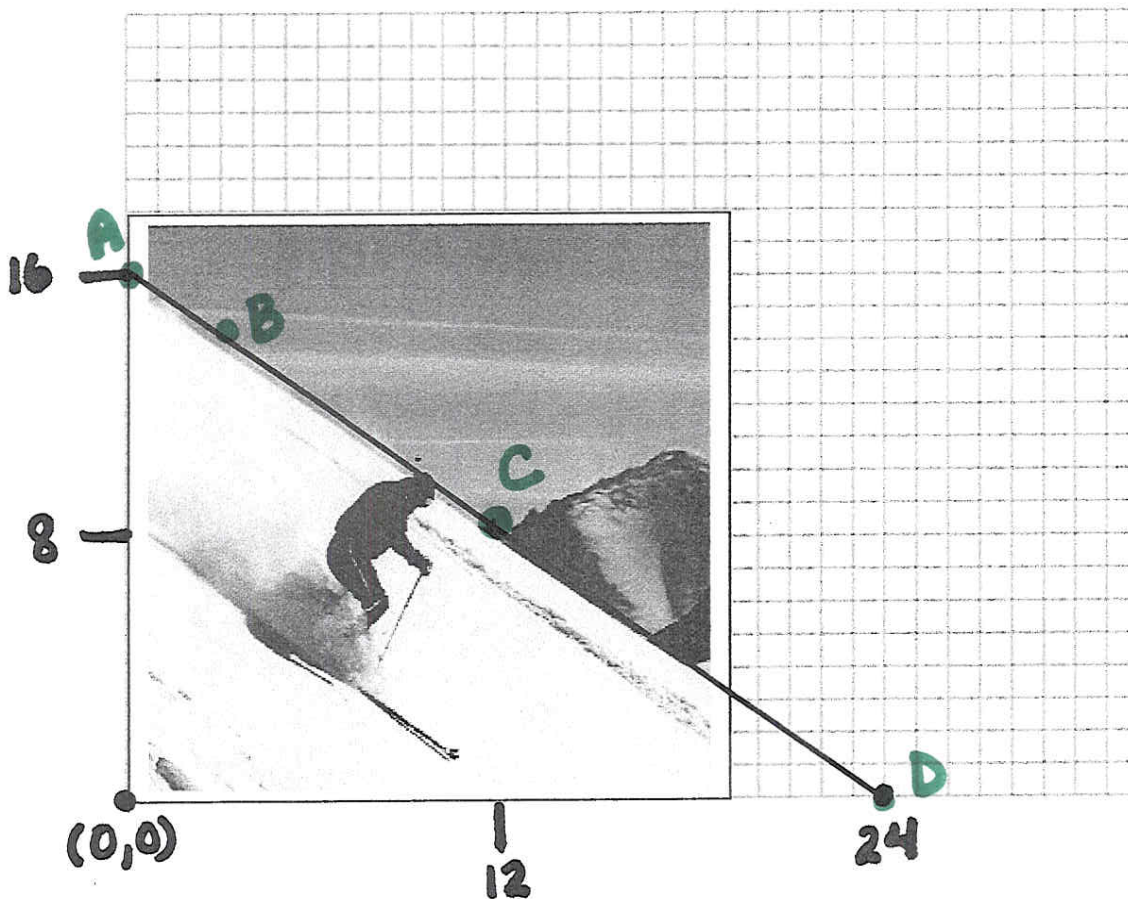
$$\frac{14-16}{3-0} = -\frac{2}{3}$$

B. What is the slope between points B and C?

$$\frac{8-14}{12-3} = \frac{-6}{9} = -\frac{2}{3}$$

C. What is the slope between points A and D?

$$\frac{0-16}{24-0} = \frac{-16}{24} = -\frac{2}{3}$$



Slippery Slope

Directions: Plot the points on the table below. Label each point.

2. Rollercoaster

X	y	Point
0	0	A
4	3	B
16	12	C
20	15	D

D. What is the slope between points A and C?

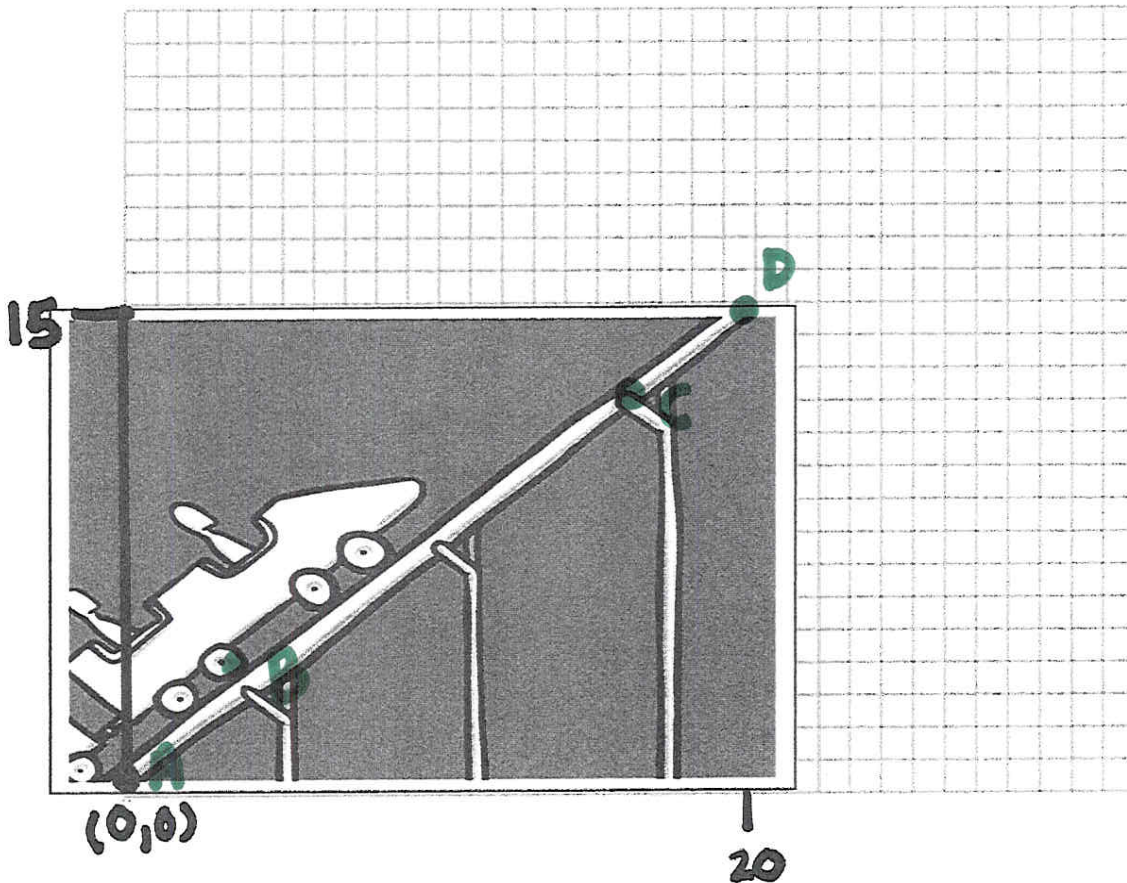
$$\frac{12-0}{16-0} = \frac{12}{16} = \frac{3}{4}$$

E. What is the slope between points B and D?

$$\frac{15-3}{20-4} = \frac{12}{16} = \frac{3}{4}$$

F. What is the slope between points A and D?

$$\frac{15-0}{20-0} = \frac{15}{20} = \frac{3}{4}$$



Slippery Slope

Directions: Plot the points on the table below. Label each point.

3. Skateboard Ramp

X	y	Point
0	0	A
6	3	B
10	5	C
14	7	D

G. What is the slope between points A and C?

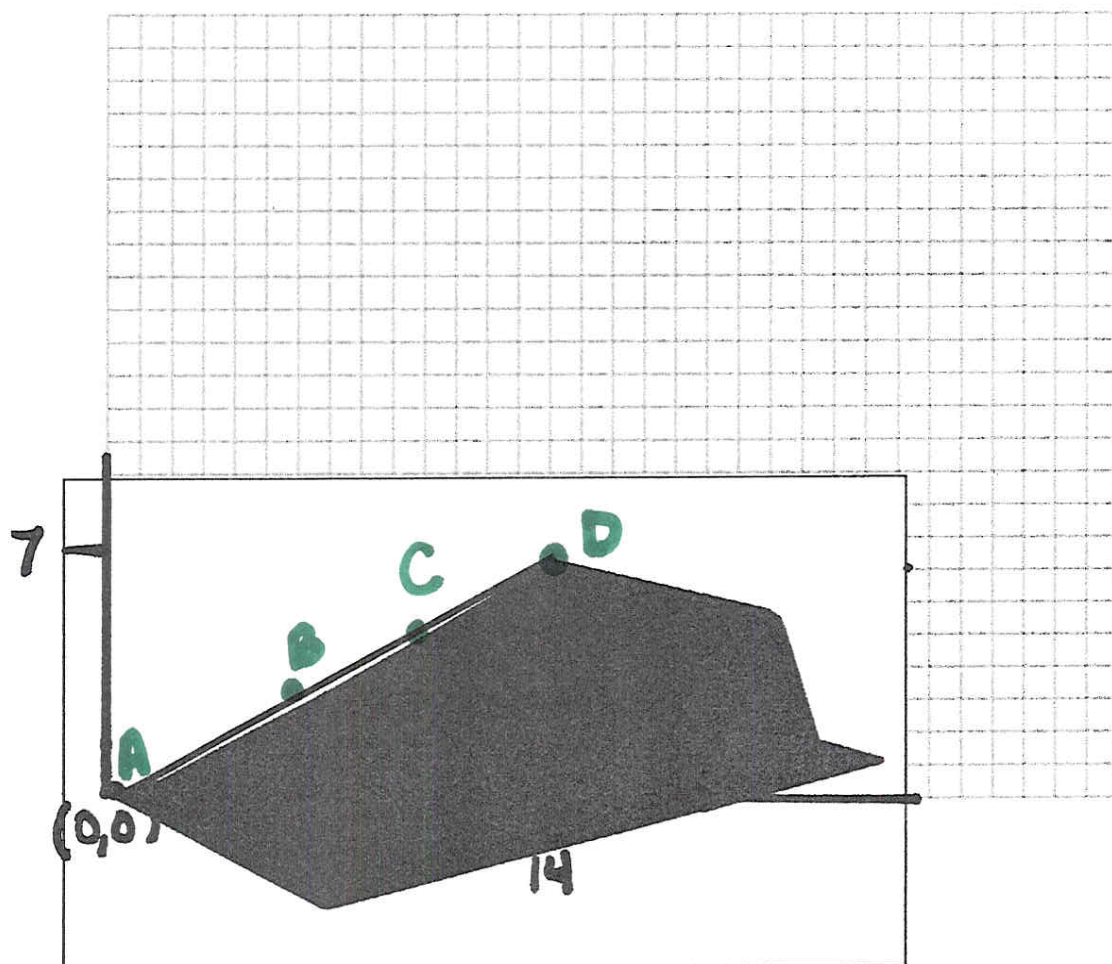
$$\frac{5-0}{10-0} = \frac{5}{10} = \frac{1}{2}$$

H. What is the slope between points B and D?

$$\frac{7-3}{14-6} = \frac{4}{8} = \frac{1}{2}$$

I. What is the slope between points A and D?

$$\frac{7-0}{14-0} = \frac{7}{14} = \frac{1}{2}$$



Name _____

Slippery Slope

Directions: Plot the points on the table below. Label each point.

4. Slide

X	y	Point
0	9	A
3	6	B
6	3	C
9	0	D

J. What is the slope between points A and C?

$$\frac{3-9}{6-0} = \frac{-6}{6} = -1$$

K. What is the slope between points B and D?

$$\frac{0-6}{9-3} = \frac{-6}{6} = -1$$

L. What is the slope between points A and D?

$$\frac{0-9}{9-0} = \frac{-9}{9} = -1$$

